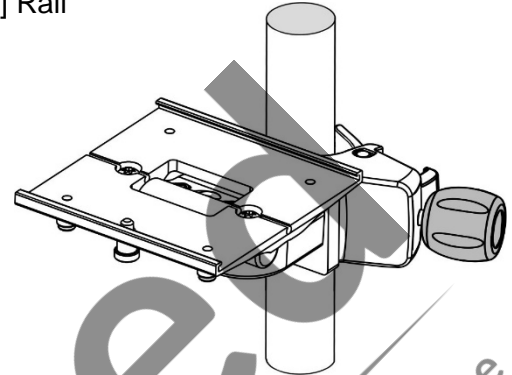
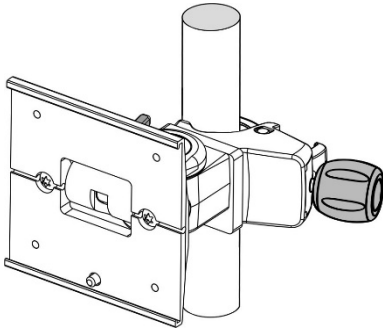


Installation Guide

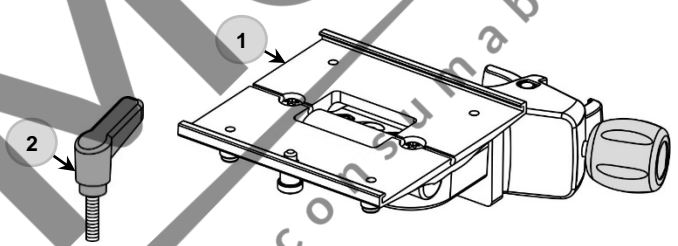
PRC Clamp with Mounting Plate
 For .75" to 1.5" [19 mm-38mm] Diameter Post
 And .39" to .98" [10mm-25mm] Rail



Parts Reference

The following parts and hardware are included with this kit (hardware not shown).

Item #	Description	Qty
1	PRC Clamp with Mounting Plate	1
2	Tilt Lever	1
3	5/32" Hex Wrench	1
4	1/4" Hex Wrench	1



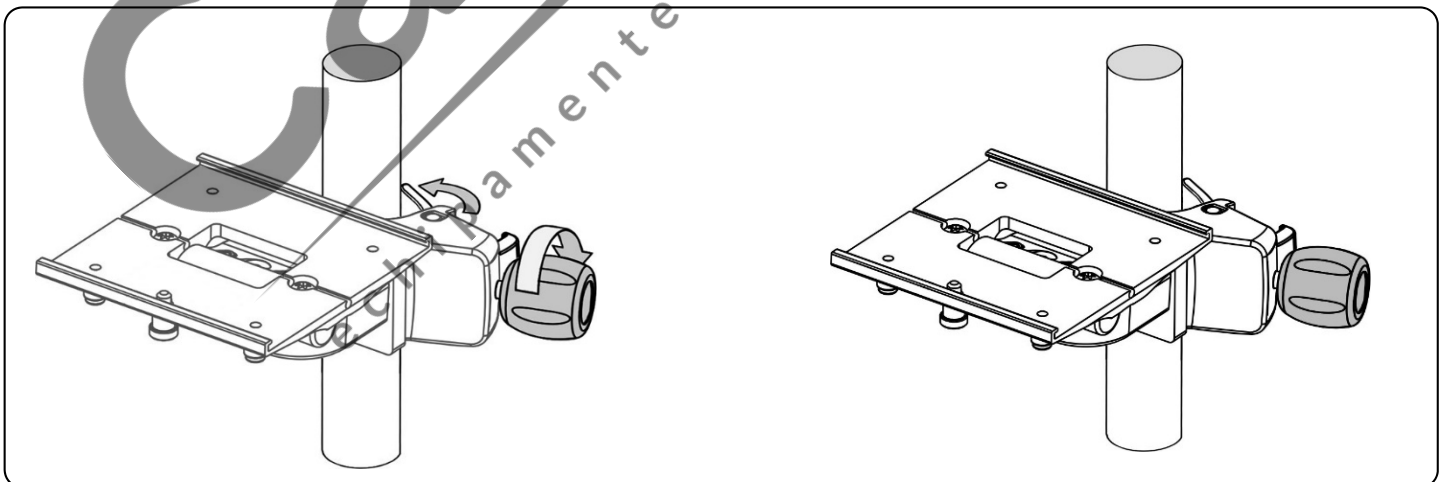
Tools Required:

5/32" and 1/4" hex wrench (supplied)
 1/2" Socket Wrench (not supplied)



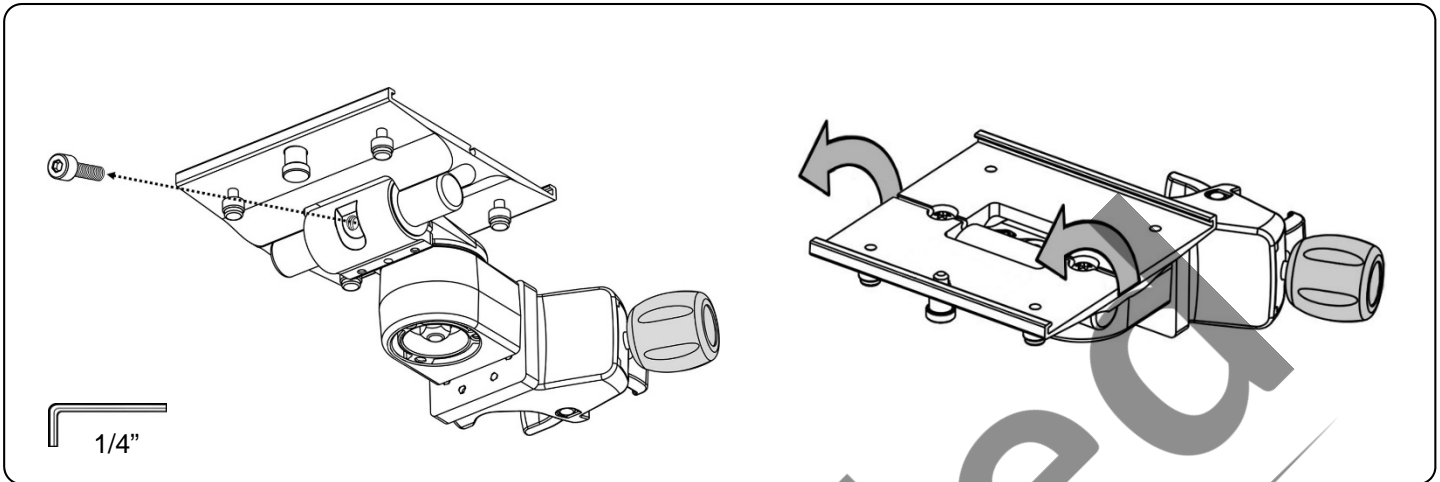
Warning - The maximum load rating for this product on a Rail is 15 lbs. [6.8 Kg].
 The maximum load rating for this product on a Post is 25 lbs. [11.3 Kg].

Mounting Clamp on Post (Horizontal Mounting Plate Orientation)

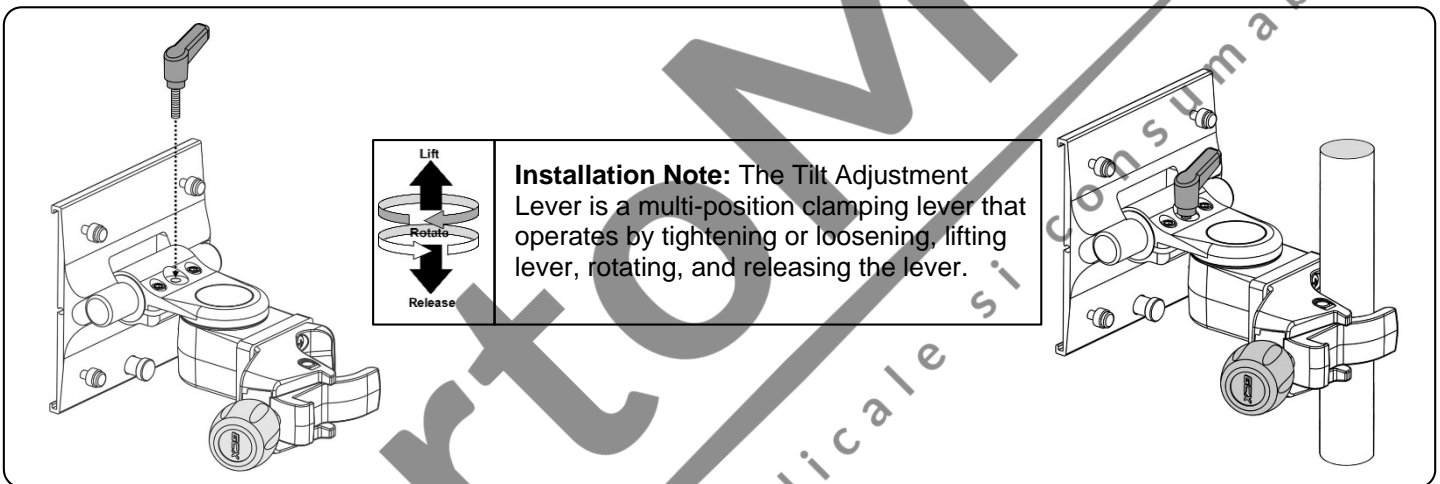


Open Clamp by turning knob counterclockwise (CCW). Position Clamp around post and turn Knob clockwise (CW) to tighten.

Mounting Clamp on Post (Vertical Mounting Plate Orientation)



Using a 1/4" hex wrench, remove the tilt limiting screw (above left) and rotate the mounting plate to a vertical orientation.



Install Tilt Adjustment Lever (above left). Position Clamp around post and turn Knob clockwise (CW) to secure.

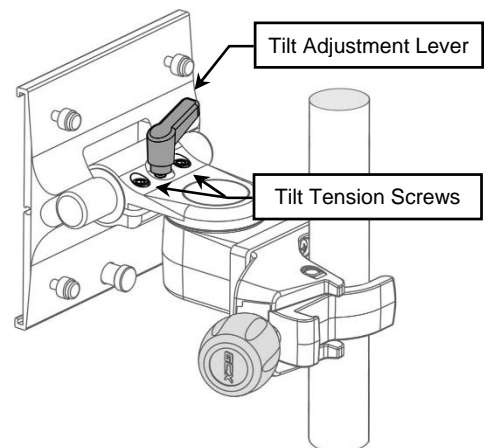
Making Adjustments to the PRC Clamp

Tilt

Adjust tilt by loosening the Tilt Adjustment Lever. Grasp the device and tilt to desired angle. Tighten Tilt Adjustment Lever to lock position.

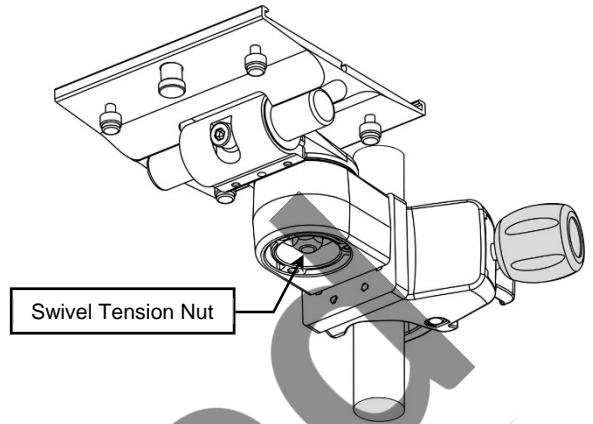
Tilt Tension

Adjust tilt tension by equally tightening or loosening two (2) Tension Adjustment Screws with the 5/32" hex wrench provided. Once overall tilt tension is set, use Tilt Adjustment Lever to fine tune/lock tilt position.

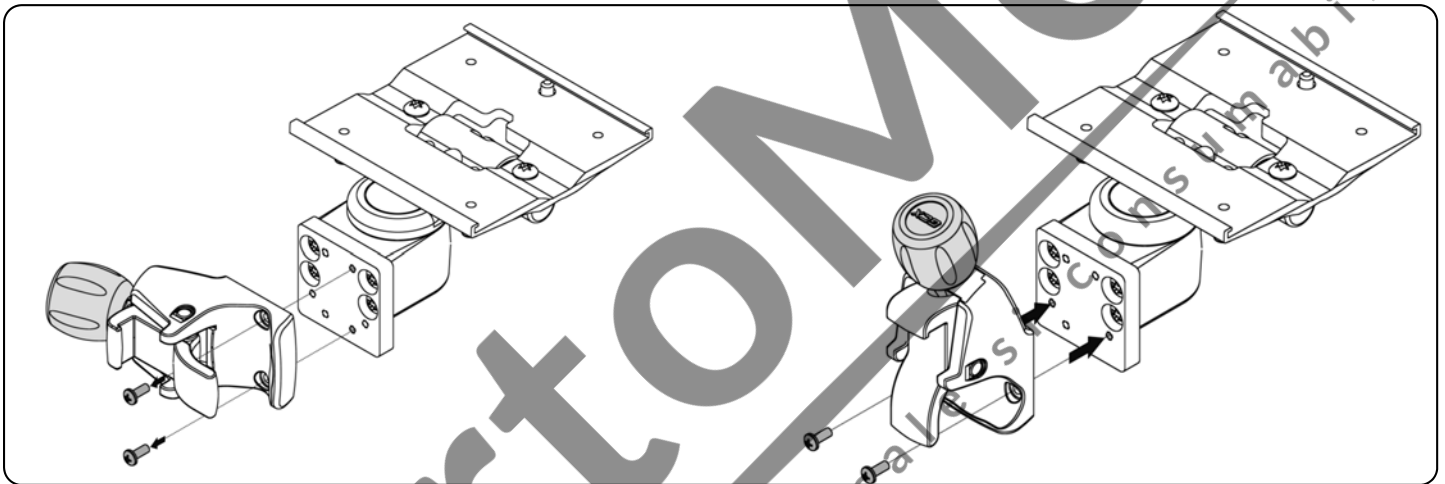


Swivel Adjustment

To adjust the swivel tension, tighten or loosen the Swivel Tension Nut with a 1/2 [13 mm] socket wrench.

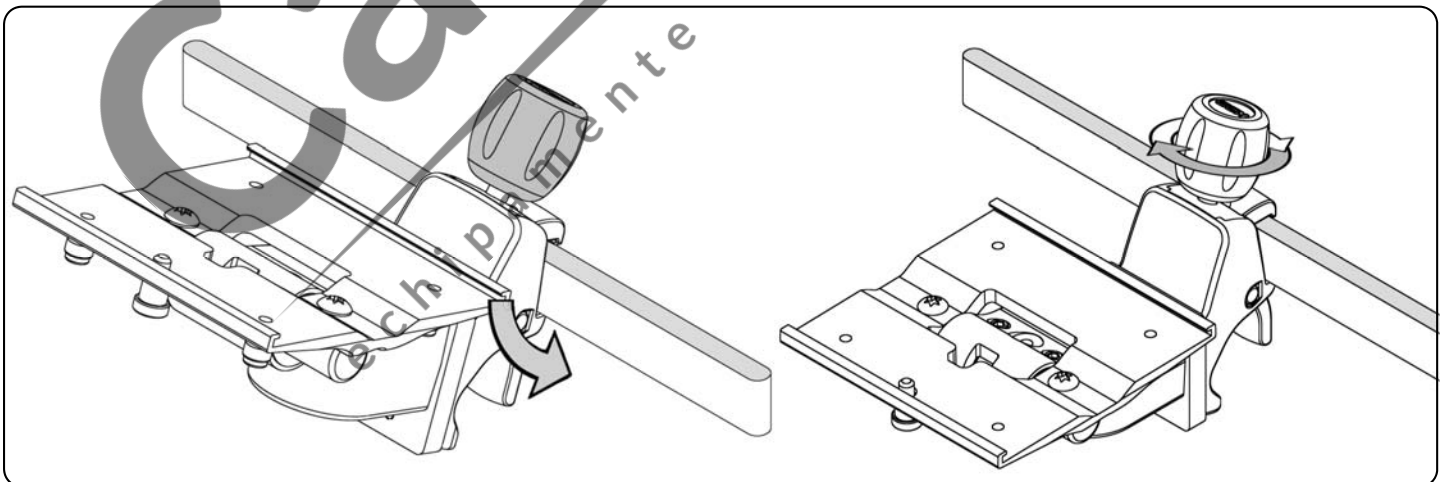


Mounting Clamp on Rail



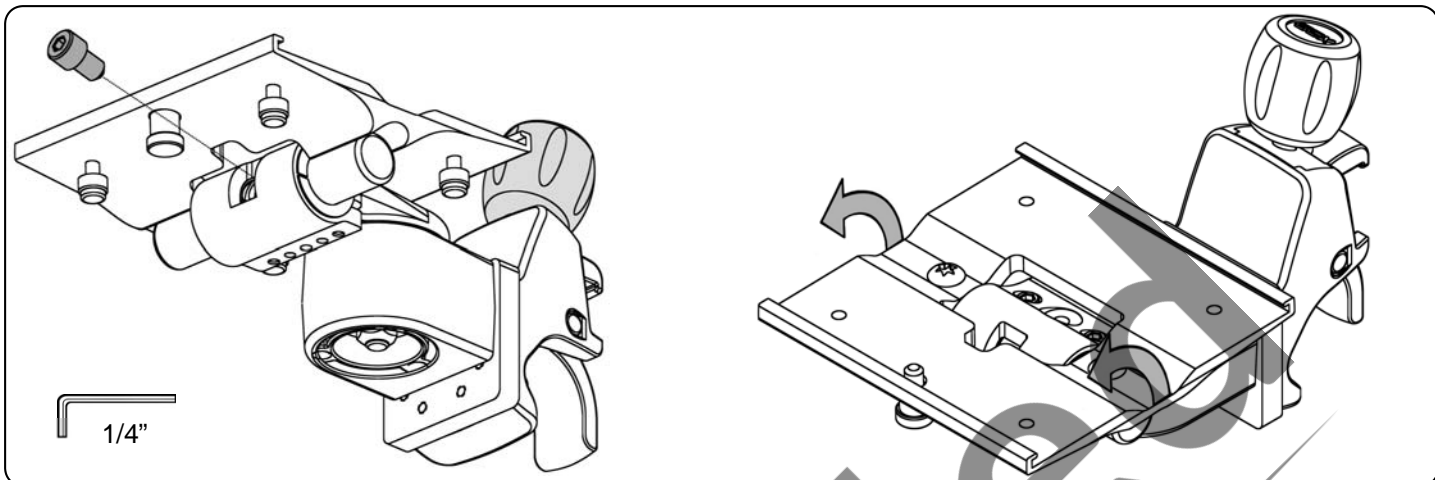
Loosen the two (2) screws securing the clamp to mounting plate. Tilt the clamp 90 degrees so that the knob is facing upward. Re-insert the two (2) screws attaching clamp to the mounting plate.

Mounting Clamp on Post (Horizontal Mounting Plate Orientation)

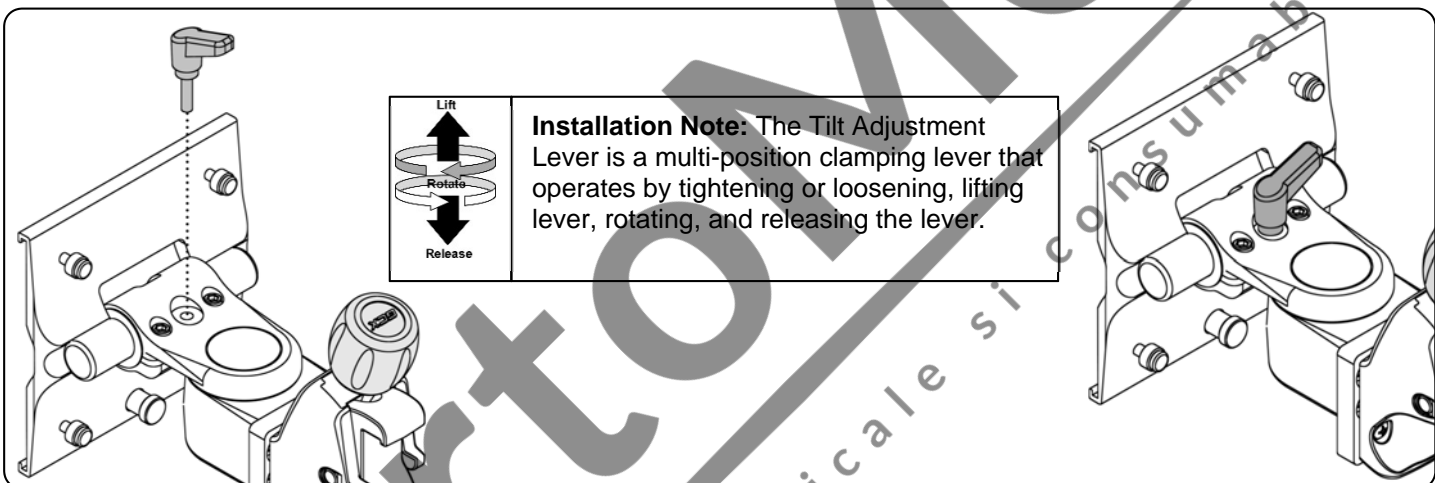


Insert rail clamp onto rail at a downward angle allowing for maximum clearance. Position Clamp around rail and turn Knob clockwise (CW) to tighten.

Mounting Clamp on Post (Vertical Mounting Plate Orientation)



Using a 1/4" hex wrench, remove the tilt limiting screw (above left) and rotate the mounting plate to a vertical orientation.



Install Tilt Adjustment Lever (above left). Position Clamp around rail and turn Knob clockwise (CW) to secure.

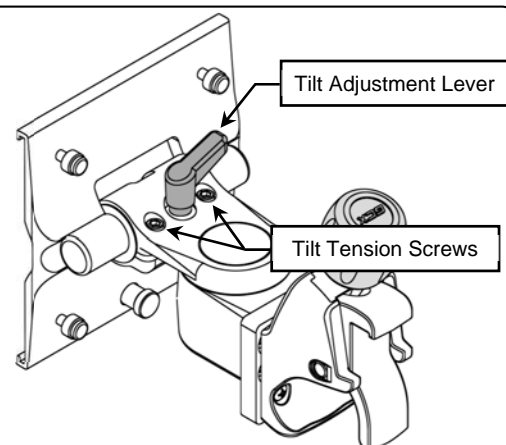
Making Adjustments to the PRC Clamp

Tilt

Adjust tilt by loosening the Tilt Adjustment Lever. Grasp the device and tilt to desired angle. Tighten Tilt Adjustment Lever to lock position.

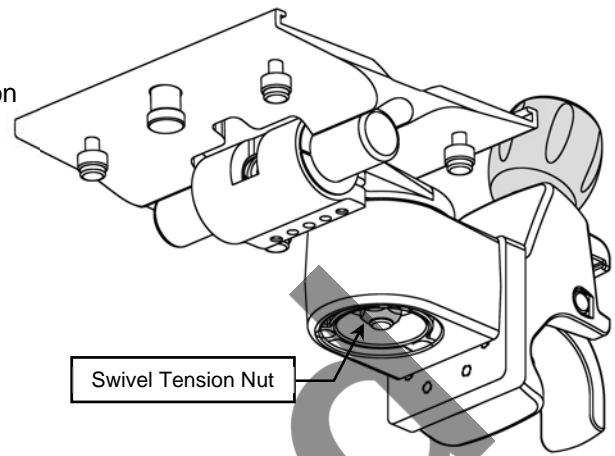
Tilt Tension

Adjust tilt tension by equally tightening or loosening two (2) Tension Adjustment Screws with the 5/32" hex wrench provided. Once overall tilt tension is set, use Tilt Adjustment Lever to fine tune/lock tilt position.



Swivel Adjustment

To adjust the swivel tension, tighten or loosen the Swivel Tension Nut with a 1/2 [13 mm] socket wrench.



Routine Maintenance

Periodically inspect all fasteners associated with the mounting assembly. Tighten or Adjust as necessary for optimal operation and safety.

Cleaning the Mounting Assembly

The mounting assembly may be cleaned with most mild, non-abrasive solutions commonly used in the hospital environment (e.g. diluted bleach, ammonia, or alcohol solutions).

The surface finish will be permanently damaged by strong chemicals and solvents such as acetone or trichloroethylene.

Steel wool or other abrasive material should never be used.

Damage caused by the use of unapproved substances or processes will not be warranted. We recommend testing of any cleaning solution on a small area of the mounting assembly that is not visible to verify compatibility.

Never submerge or allow liquids to enter the mounting assembly. Wipe any cleaning agents off the mounting assembly immediately using a water-dampened cloth. Dry the assembly thoroughly after cleaning.

⚠ CAUTION: GCX makes no claims regarding the efficacy of the listed chemicals or processes as a means for controlling infection. Consult your hospital's infection control officer or epidemiologist. To clean or sterilize mounted devices or accessory equipment, refer to the specific instructions delivered with those products.